



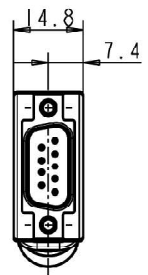
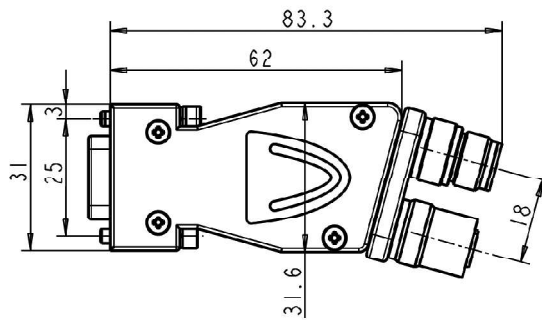
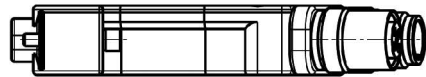
**D-SUB / M12 Connectors for Profibus**

0976 PMC 515

**9-Pole (D-Sub) 180° Compact Version**

Profibus connector, 180° compact version, M12 B-coding, male and female quick connector, full metal body, with external switch for bus termination.

0976 PMC 515





# Be Certain with Belden

## D-SUB / M12 Connectors for Profibus

0976 PMC 515

### Technical Data

<b>Data Rate</b>	12 MBit/s
<b>Environmental</b>	
Degree of protection	IP 30
Operating temperature range	-20°C (-4°F) / +70°C (+158°F)
Permissible humidity	Max 75% at +25°C, non-condensing
<b>Mechanical</b>	
Housing / Molded body	Zn alloy
D-Sub locking screw	UNC 4-40
Connector and pin layout	acc. to PROFIBUS specification
Dimensions in mm	84.8 x 35.6 x 16.8
Mechanical Lifetime	200 Mating cycles
<b>Interfaces</b>	
PROFIBUS DP	D-Sub 9 poles male
PROFIBUS cable	M12 B-code male and female, Pin 1 = +5V Pin 2 = Line A Pin 3 = GND (0V) Pin 4 = Line B
<b>Shielded Profibus M12-Cable</b>	B-Code: only Pin 2 and 4 connected, shield transfer only via shell (e.g. 0975 254 10x/... M)
<b>Bus Termination</b>	Bus termination resistors activated via external switch or via external terminator on Bus-Out-Connector (e.g. 0979 PTX 101)

Part Number	Pins D-Sub	Pins M12
0976 PMC 515	9	5 B